

Distributed by www.texim-europe.com

Distributed by:



TACTILE SWITCHES

THE NEXT GENERATION

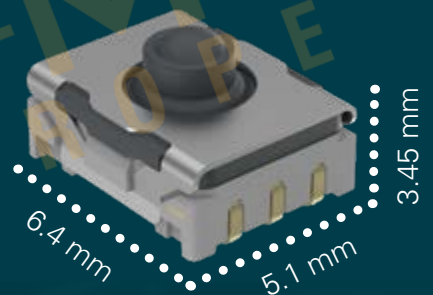


MICON 5


VERSATILE. DURABLE.

Small switch with large impact: The tactile switches of the **MICON 5** family convince with an extraordinary tactile feedback. The integrated gold contacts guarantee reliable key operation. Thanks to the increased IP protection class, **MICON 5 S** (Sealed) tactile switches can be used on printed circuit boards that are made robust against environmental influences or contamination by using potting, dip coating or conformal coating. In combination with the extensive range of accessories, the MICON 5 becomes a universal solution for almost all applications. Various lengths, designs and variants with illumination options are available.

MICON 5



The new **MICON 5 SL** series is the answer to applications in which the tactile switches are actuated frequently. With a operating life of up to ten million actuation cycles, the MICON 5 SL (Sealed & extended Lifetime) is ideal for use in joysticks or other operating devices that are subject to particularly high stresses. The SL variants are available in SMT and with two different actuation forces.

Variant	Article number	Operating force	Operating life
 SMT	1.14.105.101/0000	2.5 N	10,000,000
	1.14.105.111/0000	5.0 N	





Gold contacts



Unique tactile feedback

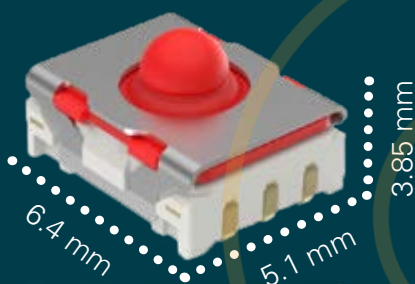


Compact dimensions



Up to 10 million switching cycles

MICON 5



Variant	Article number	Operating force	Operating life
SMT	1.14.005.201/0000	1,5 N	1.000.000
	1.14.005.101/0000	2,5 N	
	1.14.005.001/0000	3,6 N	250.000
	1.14.005.111/0000	5,0 N	1.000.000
	1.14.005.011/0000	7,0 N	250.000
SMT	1.14.005.103/0000	2,5 N	1.000.000
	1.14.005.003/0000	3,6 N	250.000
	1.14.005.113/0000	5,0 N	1.000.000
THT	1.14.005.106/0000	2,5 N	250.000
	1.14.005.006/0000	3,6 N	
	1.14.005.116/0000	5,0 N	1.000.000
	1.14.005.016/0000	7,0 N	250.000

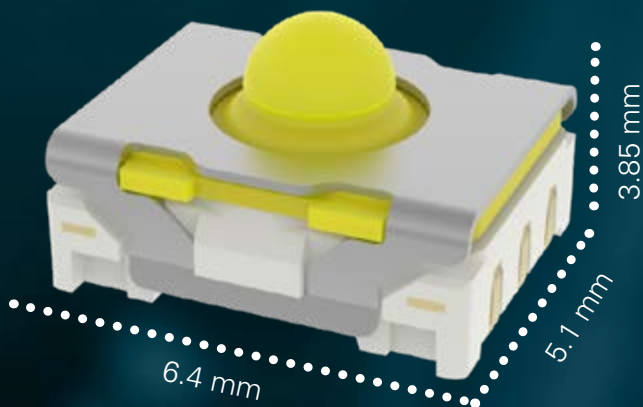
MICON 5 SAFETY

COMPACT. DUAL-CHANNEL. SAFE.

The **MICON 5 SAFETY** not only integrates the outstanding features of the MICON 5 S, such as the extended temperature range and the possibility of potting, dip coating or conformal coating, in the smallest possible space, it also has two isolated normally closed and normally open contacts. With these features it is unique worldwide in this size, because the dimensions and also the compatibility to the MICON accessories program remain unchanged. These features enable a particularly economical and space-saving design for applications that are developed according to industry-specific functional safety standards – such as:

IEC 61508
IEC 62061
IEC 60601
ISO 26262
DIN EN 50128
DIN EN ISO 13849
DIN EN ISO 25119

Functional safety
Safety of machinery
Medical equipment
Road vehicles
Railway
Industrial automation
Agriculture and forestry



CIRCUIT DIAGRAM





1 NC + 1 NO



Operating temperature
-40°C to +125°C




Unique worldwide



Compact
dimensions

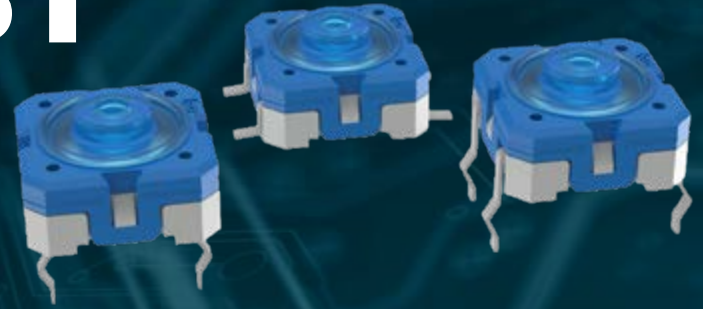
MICON 5 SAFETY

Variant Article number Operating force Operating life

 SMT	1.14.205.101/0000	2.9 N	1,000,000
	1.14.205.111/0000	5.6 N	

RACON ST

VARIABLE. ROBUST.



The **RACON ST** fits into your operating system as if it were tailor-made. The product family offers the right tactile switch for every project: The RACON 8 ST and RACON 12 ST series differ in their dimensions and operating forces. SMT as well as THT versions are available for both.

RACON ST - particularly robust

Like the MICON 5 S, the RACON ST (sealed & extended temperature) is also sealed and can be used on

printed circuit boards, protected from environmental influences or contamination by potting, dip coating or conformal coating. Thanks to its extreme temperature resistance from -40°C to +125°C, the RACON ST is ideal for automotive or similar outdoor applications. A sealed, robust and gold-based contact system makes it additionally resistant and switch-safe. The result: operation is absolutely reliable for at least one million operating cycles.

RACON 8 ST

Variant	Article number	Operating force	Operating life
 THT external	1.14.108.501/0000	3.3 N	1,000,000
	1.14.108.601/0000	4.8 N	
	1.14.108.801/0000	6.0 N	50,000
 THT internal	1.14.108.502/0000	3.3 N	1,000,000
	1.14.108.602/0000	4.8 N	
	1.14.108.802/0000	6.0 N	50,000
 SMT	1.14.108.503/0000	3.3 N	1,000,000
	1.14.108.603/0000	4.8 N	
	1.14.108.803/0000	6.0 N	50,000
	1.14.108.903/0000	6.8 N	1,000,000
 vertical	1.14.108.920/0000	9.4 N	250,000
	1.14.108.506/0000	3.3 N	1,000,000
	1.14.108.606/0000	4.8 N	





IP67



Operating temperature
-40°C to +125°C



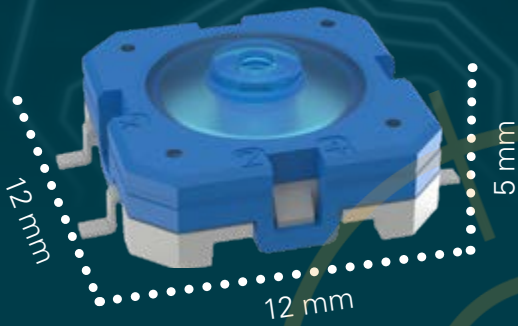
Wide range of
operating forces



Robust
contact system

RACON 12

ST



Variant	Article number	Operating force	Operating life
THT external	1.14.112.601/0000	2.5 N	1,000,000
	1.14.112.501/0000	3.6 N	
	1.14.112.801/0000	4.7 N	
THT internal	1.14.112.602/0000	2.5 N	
	1.14.112.502/0000	3.6 N	
	1.14.112.802/0000	4.7 N	
	1.14.112.918/0000	6.8 N	
	1.14.112.926/0000	9.7 N	
SMT	1.14.112.603/0000	2.5 N	
	1.14.112.503/0000	3.6 N	
	1.14.112.803/0000	4.7 N	
	1.14.112.916/0000	6.8 N	
	1.14.112.920/0000	9.7 N	65,000
vertical	1.14.112.506/0000	3.6 N	1,000,000
	1.14.112.927/0000	9.7 N	200,000

MEDIA ROBUST ELECTRONICS

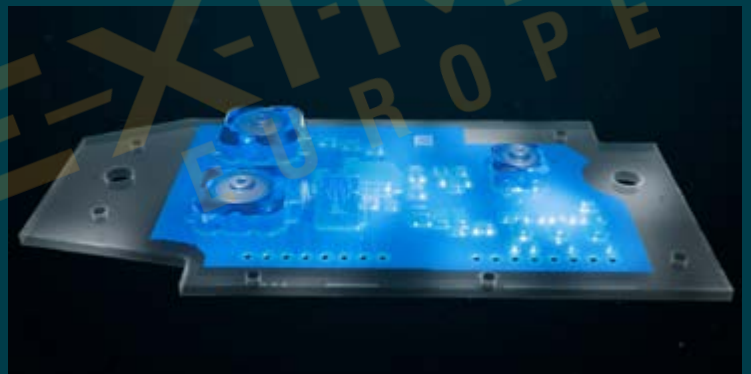
RESISTENT. ROBUST. DURABLE.

There are various ways to protect PCBs from environmental influences such as condensation or contamination. In this context, our customers and also we at RAFI often rely on potting, dip coating or conformal coating of entire circuit board assemblies.

In the past this was a challenge for previous tactile switches which were not designed for these PCB protection methods. We have optimized this and offer a new generation of MICONs and RACONs that are equipped for such applications.

CONFORMAL COATING

In conformal coating, a distinction is made between dip coating and selective coating with a spray head. With selective coating, only critical components and contacts can be coated, thus saving costs by using less material. Coating protects against condensation or contamination and also provides ESD protection. In the case of MICON and RACON, the flexible pressure piece should be left out during coating, as otherwise coating particles can flake off when the button is subsequently actuated.



POTTING

In potting, the printed circuit board is partially or completely filled with a medium which offers not only excellent protection in constant humidity but also mechanical protection in case of vibration and improved heat dissipation. This can significantly extend the lifetime of the electronics. The new generation MICONs and RACONs (sealed) can now be effectively enclosed up to the defined potting height and continue to function reliably thereafter.



DIP COATING

Dip coating is usually applied in an immersion process in which the assembled circuit board is immersed in a basin. The coating material penetrates into every corner of the assembly in order to provide the best possible protection for the circuit board. A thin layer of just 400 nm is sufficient to reliably protect the electronics from malfunctions and moisture. However, using this type of coating on tactile switches is a challenge – but MICON as well as RACON are ideally suited for exactly this purpose.



	Conformal coating	Potting	Dip coating
Features	<ul style="list-style-type: none"> • 20-50 µm • transparent • ESD protection • protection against condensation 	<ul style="list-style-type: none"> • from 1 mm • protection against constant humidity • mechanical protection during vibration and improved heat dissipation 	<ul style="list-style-type: none"> • 400 nm • transparent • protection against condensation
Protection level			
Process	selective and dip coating	mold filling	dipping
Costs	€	€€€	€
Flexibility to change	flexible	inflexible	flexible
Repairability	✗	✗	✓

QUALITY AND APPLICATION

RELIABLE. TRACEABLE. UNIVERSAL.



CONTINUOUS MONITORING

Quality assurance is paramount in the production of our tactile switches. MICON and RACON are manufactured in high-performance automated machines at our location in Germany. Continuous monitoring of the process steps via camera systems guarantees compliance with our quality standards.



100% INSPECTION

Our tactile switches are characterized by their tactility. Here we leave nothing to chance. The force-travel characteristic is tested for each tactile switch, thus ensuring consistent tactility and quality.



TRACEABILITY

For traceability purposes, each tactile switch is laser-marked after passing complete testing. This ensures we can trace when each tactile switch was produced and which individual parts were used.



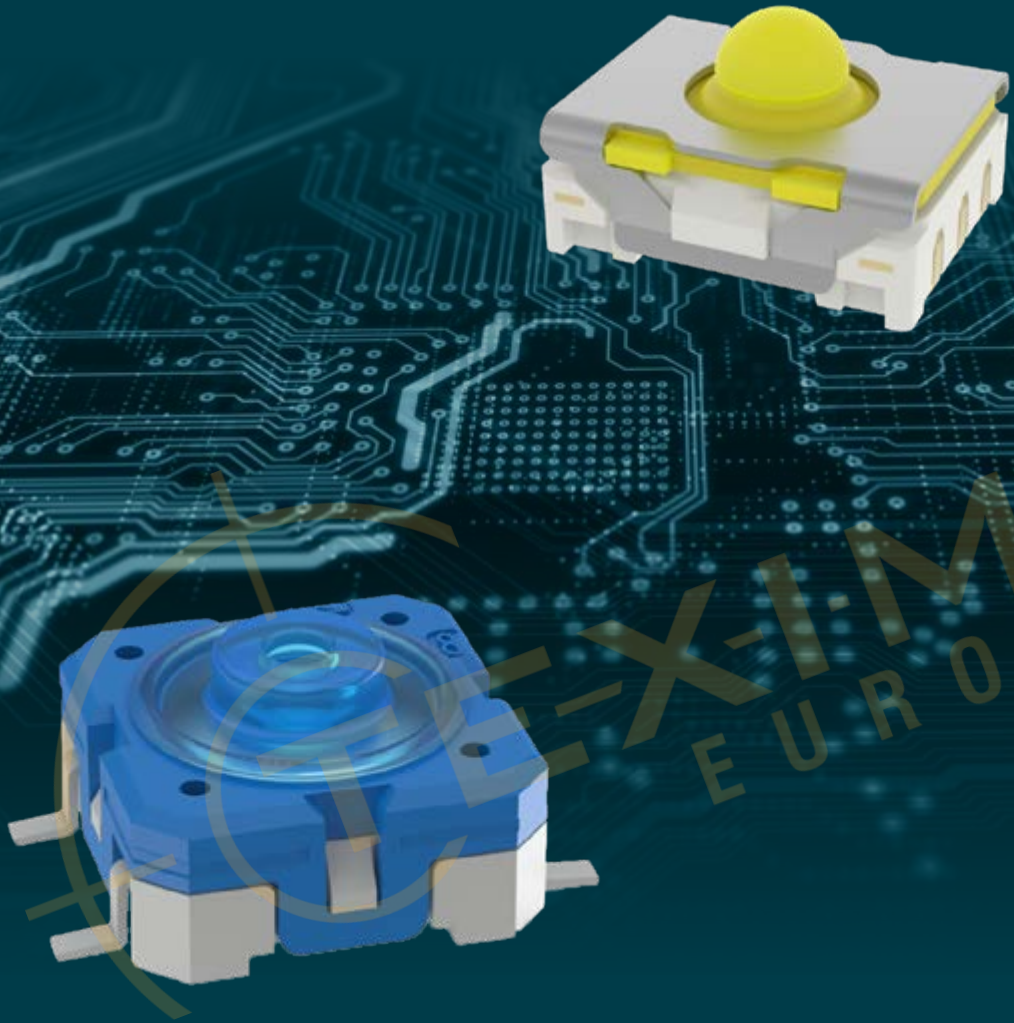
PACKAGING

Depending on the variant (THT or SMT), we pack our tactile switches in rails or blisters. This ensures fast, safe feeding into automated electronic assembly machines for further processing.

IN USE WORLDWIDE

Hardly visible, highly noticeable. Our tactile switches have already been in reliable use for many years. Numerous applications demonstrate their versatility – and the success story continues. Every day, new projects are added in which MICON and RACON impress customers and users.





The information in this brochure contains general descriptions and performance characteristics which may not apply exactly in the specific application and/or which can change due to further development of the products. The technical data, images and other details of our products are merely the results of individual technical tests. These and other performance characteristics are only binding when they are expressly agreed upon conclusion of the contract.

Otherwise, the following applies:

We reserve the right to change delivery options and technical details. Products are similar to the illustrations and other forms of representation.

All product designations can be brands or product names of the RAFI Group or other suppliers whose use by third parties for their own purposes may violate the owner's rights.

RAFI GmbH & Co. KG

A RAFI Group company
Ravensburger Str. 128–134, 88276 Berg, Germany
P +49 751 89-0, F +49 751 89-1300
rafi-group.com, info.headquarters@rafi-group.com

RAFI

Disclaimer

ALL PRODUCTS, PRODUCT SPECIFICATIONS AND DATA ARE SUBJECT TO CHANGE WITHOUT NOTICE TO IMPROVE RELIABILITY, FUNCTION OR DESIGN OR OTHERWISE.

Texim Europe B.V. its affiliates, agents, and employees, and all persons acting on its or their behalf (collectively, "Texim"), disclaim any and all liability for any errors, inaccuracies or incompleteness contained in any datasheet or in any other disclosure relating to any product.

Texim makes no warranty, representation or guarantee regarding the suitability of the products for any particular purpose or the continuing production of any product.

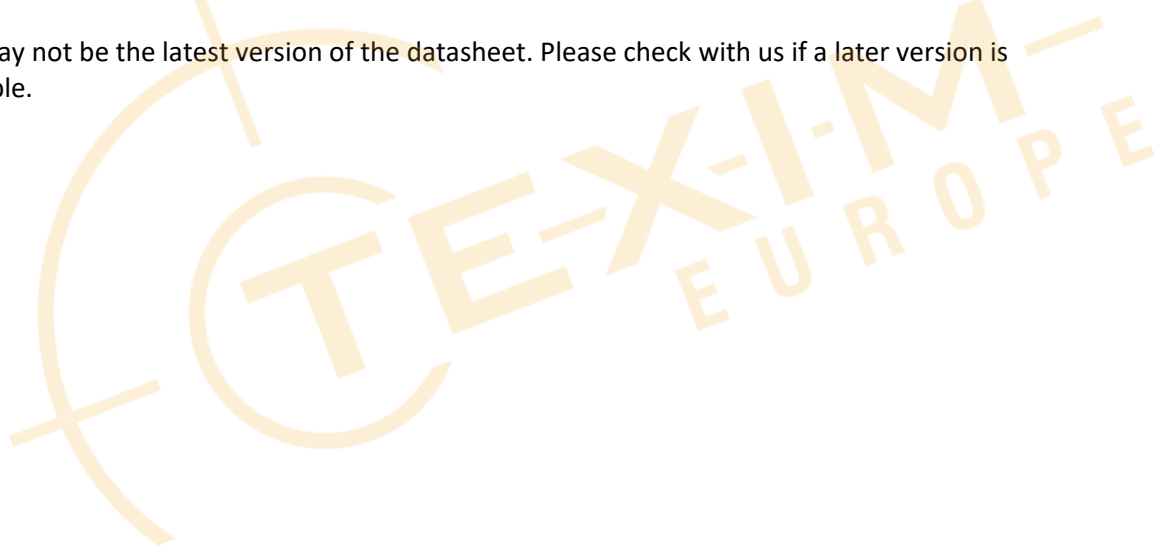
It is the customer's responsibility to validate that a particular product with the properties described in the product specification is suitable for use in a particular application.

Parameters provided in datasheets and / or specifications may vary in different applications and performance may vary over time.

All operating parameters, including typical parameters, must be validated for each customer application by the customer's technical experts.

Please contact us if you have any questions about the contents of the datasheet.

This may not be the latest version of the datasheet. Please check with us if a later version is available.





Headquarters & Warehouse

Elektrostraat 17
NL-7483 PG Haaksbergen
The Netherlands

T: +31 (0)53 573 33 33
E: info@texim-europe.com
Homepage: www.texim-europe.com



The Netherlands

Elektrostraat 17
NL-7483 PG Haaksbergen

T: +31 (0)53 573 33 33
E: nl@texim-europe.com



Belgium

Zuiderlaan 14, box 10
B-1731 Zellik

T: +32 (0)2 462 01 00
E: belgium@texim-europe.com



UK & Ireland

St Mary's House, Church Lane
Carlton Le Moorland
Lincoln LN5 9HS

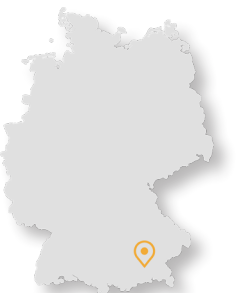
T: +44 (0)1522 789 555
E: uk@texim-europe.com



Germany - North

Bahnhofstrasse 92
D-25451 Quickborn

T: +49 (0)4106 627 07-0
E: germany@texim-europe.com



Germany - South

Martin-Kollar-Strasse 9
D-81829 München

T: +49 (0)89 436 086-0
E: muenchen@texim-europe.com



Austria

Warwitzstrasse 9
A-5020 Salzburg

T: +43 (0)662 216 026
E: austria@texim-europe.com



Nordic

Søndre Jagtvej 12
DK-2970 Hørsholm

T: +45 88 20 26 30
E: nordic@texim-europe.com



Italy

Via Matteotti 43
IT-20864 Agrate Brianza (MB)

T: +39 (0)39 9713293
E: italy@texim-europe.com